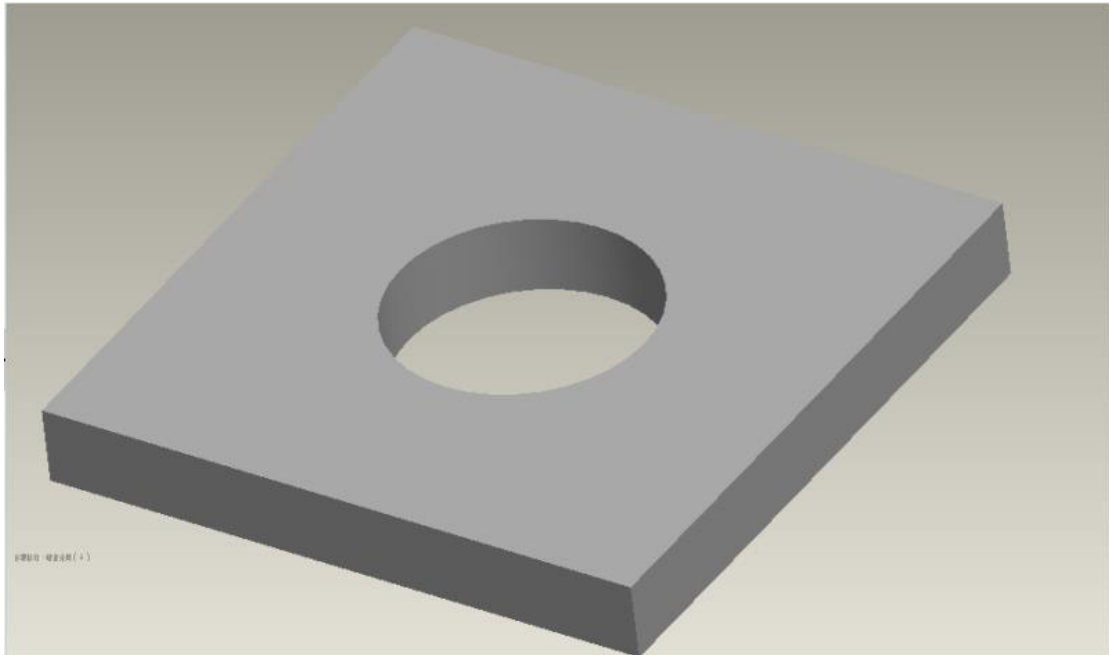
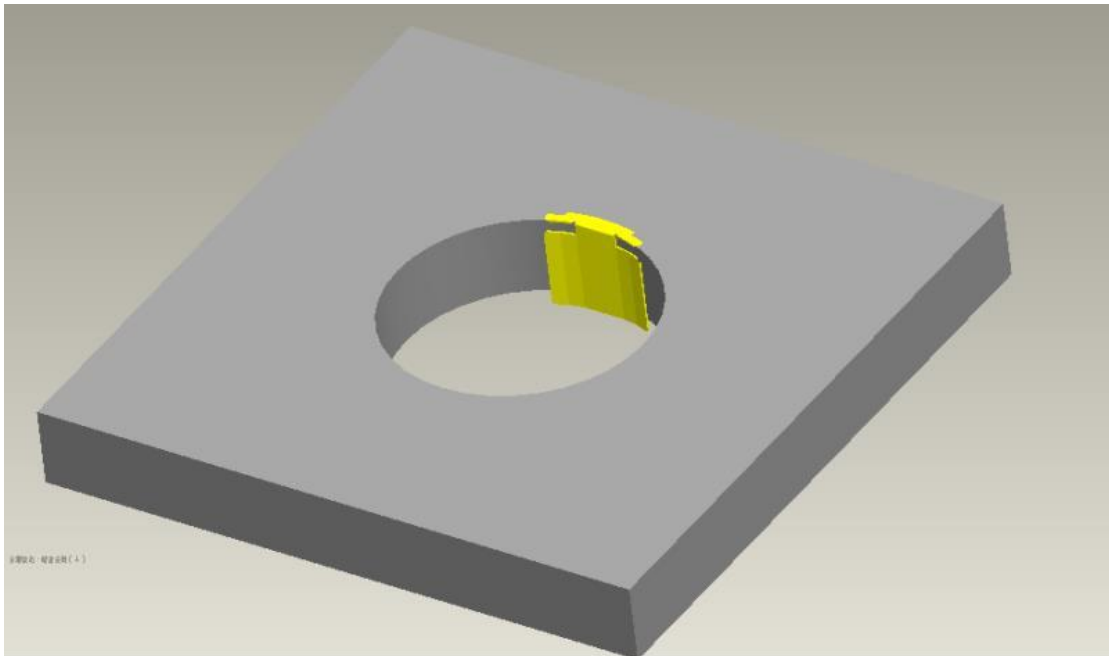


Installation JXH-3U90-IL onto Desktop

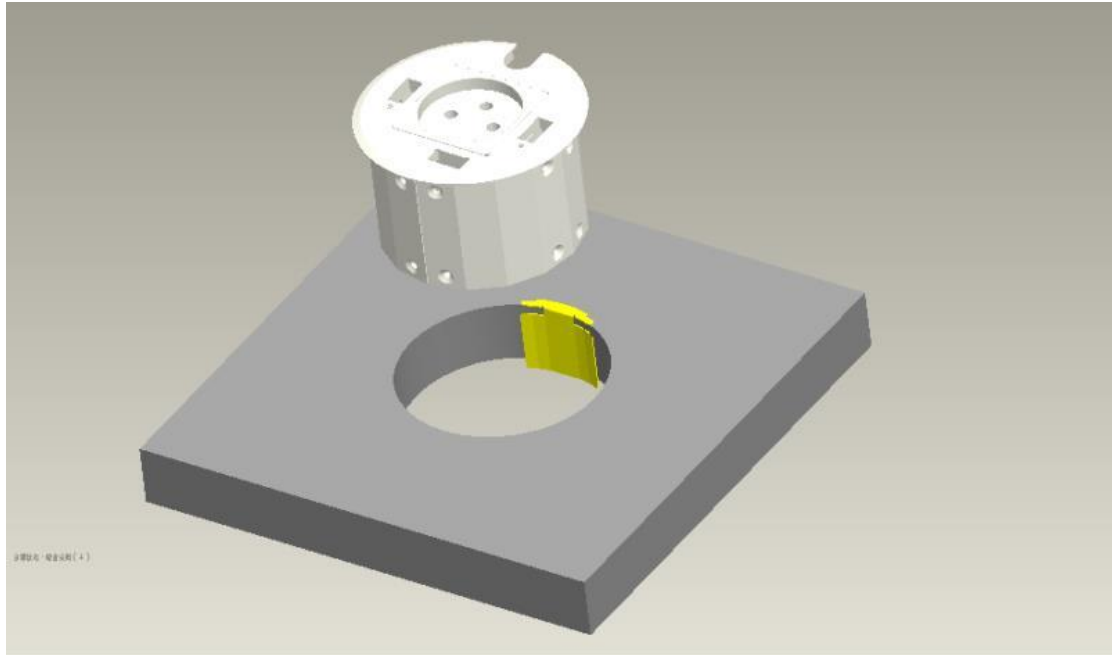
Step 1. Make ready the opening hole on the desktop :



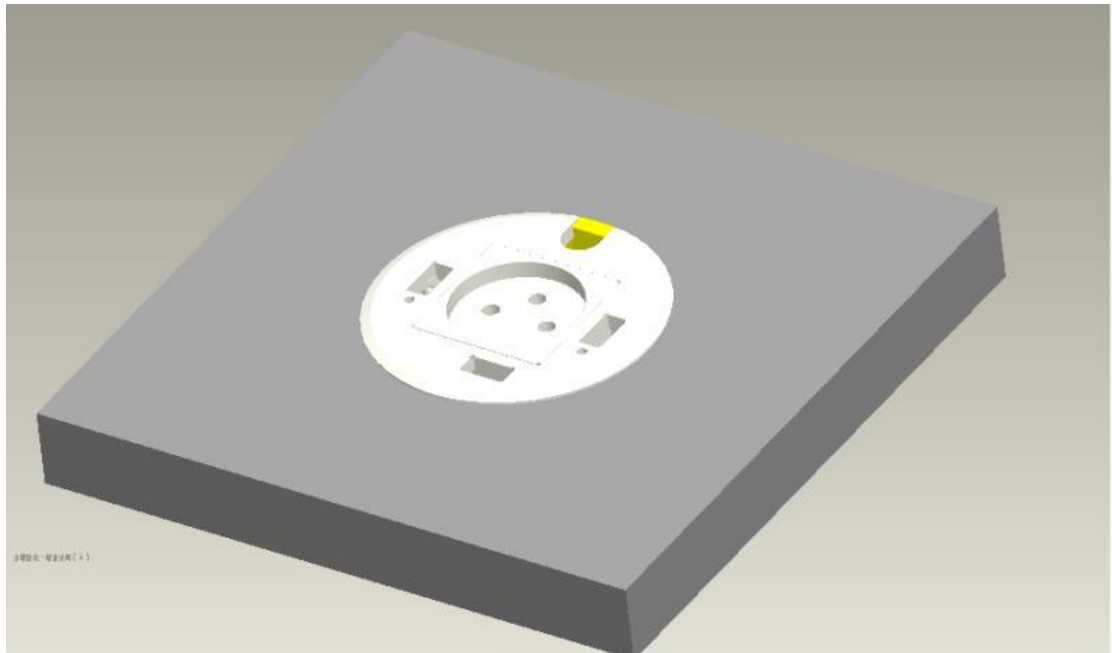
Step 2. Put the edge protection metal piece at the place where cable slot face to :



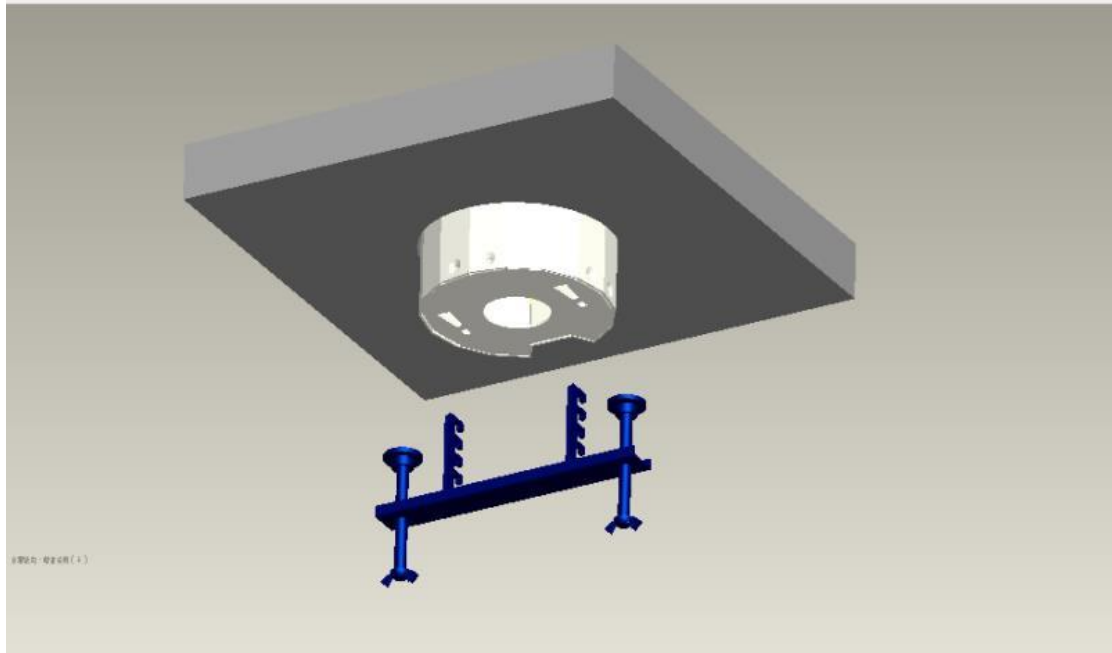
Step 3. Insert the main body of JXH-3U90-IL into the opening hole:



Step 4. Adjust slightly the main body position to match its cable slot to the metal piece properly:



Step 5. Putting in the installation bracket under the desktop:



Step 6. Fasten the installation bracket:

